

ACON U-01
USB TO RS232 / RS485 CONVERTER



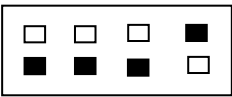
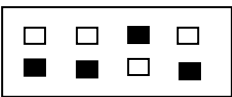
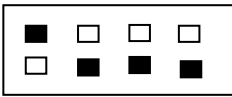
INTRODUCTION: The model is USB bus power, high speed, USB to RS232 / RS485- (2 wire /4 wire) Converter. It supports AUTO baud rate. The optical isolation protects one segment of your network from problems that arises on the other. The model supports for RS232 / RS485- 2 wire,4 wire.

SPECIFICATIONS:

INTERFACE	: USB TO RS232/ RS485- 2 Wire,4 wire.
OPTICAL ISOLATION	: 500V
OPERATION	: 1) USB TO RS232
	2) MULTI-DROP HALF DUPLEX (RS485- 2 W)
	MULTI-DROP FULL DUPLEX (RS485- 4 W)
SPEED	: 2400 TO 115KBPS
CONNECTORS	: 1) USB- USB ' A ' TYPE FEMALE CONNECTOR
	2) RS232 DB9 MALE
	3) RS 485- 2 Wire - SCREW TERMINAL.
	4) RS 485- 4 Wire - SCREW TERMINAL.
INDICATIONS	: POWER, TX, RX
POWER	: USB BUS POWER
CASE	: METALLIC POWDER COATED
SIZE	: 55 mm x 90 mm x 23 mm
OPERATING TEMP	: 0 - 70°C
POWER CONSUMPTION	: 1W
HUMIDITY	: 5 - 95% NON CONDENSING
ACCESSORIES	: DRIVER CD, USB Cable 1.5 meter

DIP SWITCH SETTING FOR RS-232/485 LOCATED ON BACK PLATE

DIP SWITCH SETTINGS:

DIP 1 SWITCH SETTINGS		Configuration
ON ↑ 1 2 3 4  ↓ OFF	RS 232	
ON ↑ 1 2 3 4  ↓ OFF	RS 485 2 WIRE	
ON ↑ 1 2 3 4  ↓ OFF	RS 485 4 WIRE	

CONNECTION DETAILS

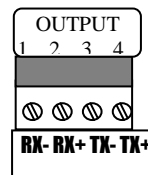
DB9 MALE RS - 232

RS - 485

2 - RX

3- TX

5- GND



TO Download Drivers & Utility please check the below Drive Link :

- **For Windows 10**
https://www.silabs.com/documents/public/software/CP210x_Universal_Windows_Driver.zip
- **For Windows 7/8/8.1**
https://www.silabs.com/documents/public/software/CP210x_Windows_Drivers.zip
- **For Windows XP/Server 2003/Vista/7/8/8.1**
https://www.silabs.com/documents/public/software/CP210x_VCP_Windows.zip
- **For Mac OS**
https://www.silabs.com/documents/public/software/Mac_OSX_VCP_Driver.zip
- **For Linux**
https://www.silabs.com/documents/login/software/Linux_3.x.x_4.x.x_VCP_Driver_Source.zip

Address: Narhe Industrial Estate, Lane No. 1, Sr. No. 44/21, Narhe Gaon, Tal-Haveli, Pune, Maharashtra 411041 **Tel :** +91 9284025858

Email: Info@abacuselectronics.in

Webiste: www.abacuselectronics.in