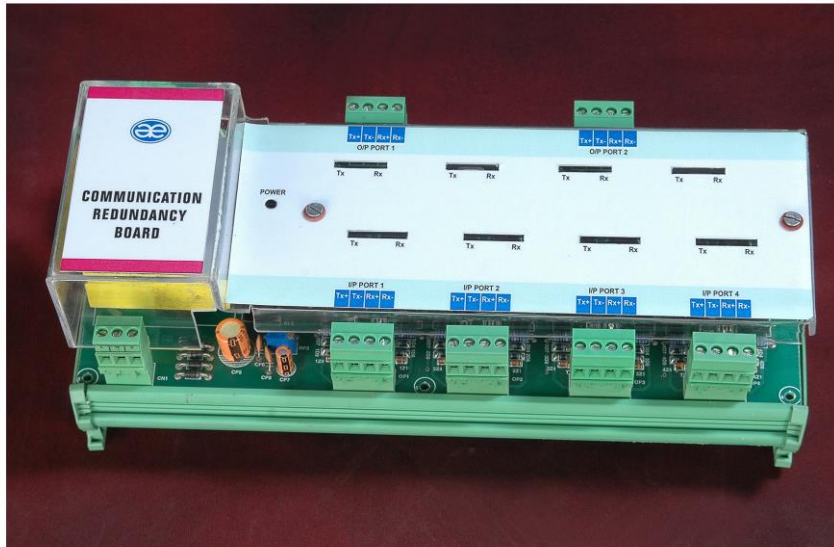


COMMUNICATION REDUNDANCY BOARD



INTRODUCTION: - The Communication Redundancy Board is RS 422/485 redundancy switch. It has optical isolation that protects one segment of network from problems that arises on the other. Data can be switched over to the Output from either of the port depending on the corresponding data coming from the terminal server port. The model supports for RS 422/RS 485- 4 wire/RS 485- 2 wire. (Jumper Link selectable).

SPECIFICATIONS:

OPTICAL ISOLATION: 1.5 KV.

INTERFACE : RS 422/ RS 485- 4 Wire/ RS 485- 2 Wire.

OPERATION : 1> POINT TO POINT (RS 422)
2> MULTI-DROP FULL DUPLEX (RS 485-4 W)
3> MULTI-DROP HALF DUPLEX (RS 485- 2 W) (Default Factory Setting)

SPEED : 9600 BPS TO 38.4 KBPS

CONNECTORS : FOR RS 422/485 - DETACHABLE.

CHANNELS : 2 CHANNELS

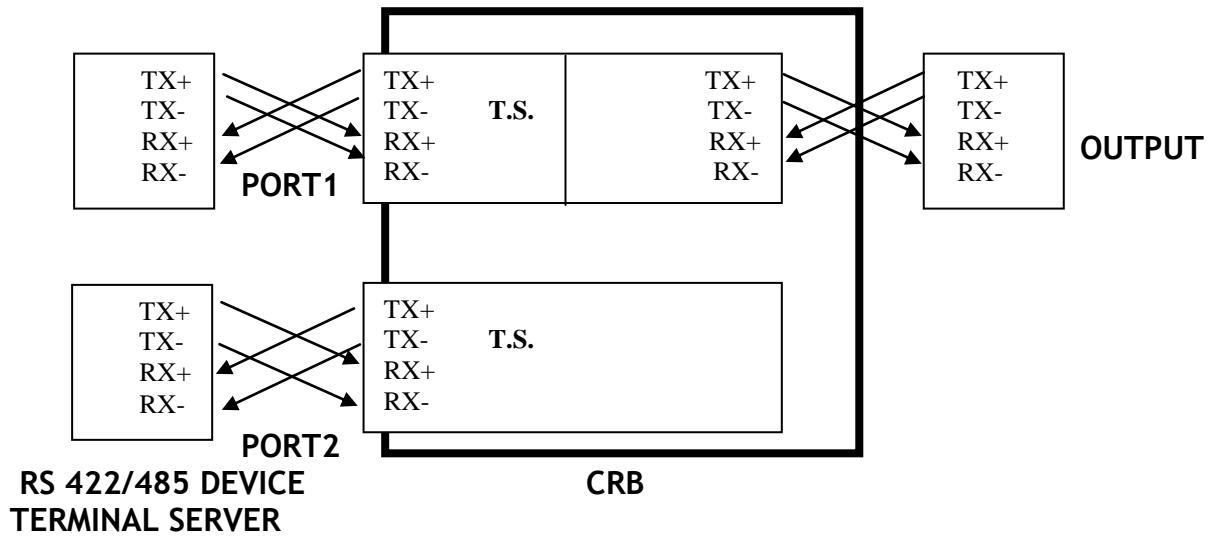
INDICATIONS : Power, Transmit and Receive

POWER : 110 VAC {+/- 10%} [Factory Set].

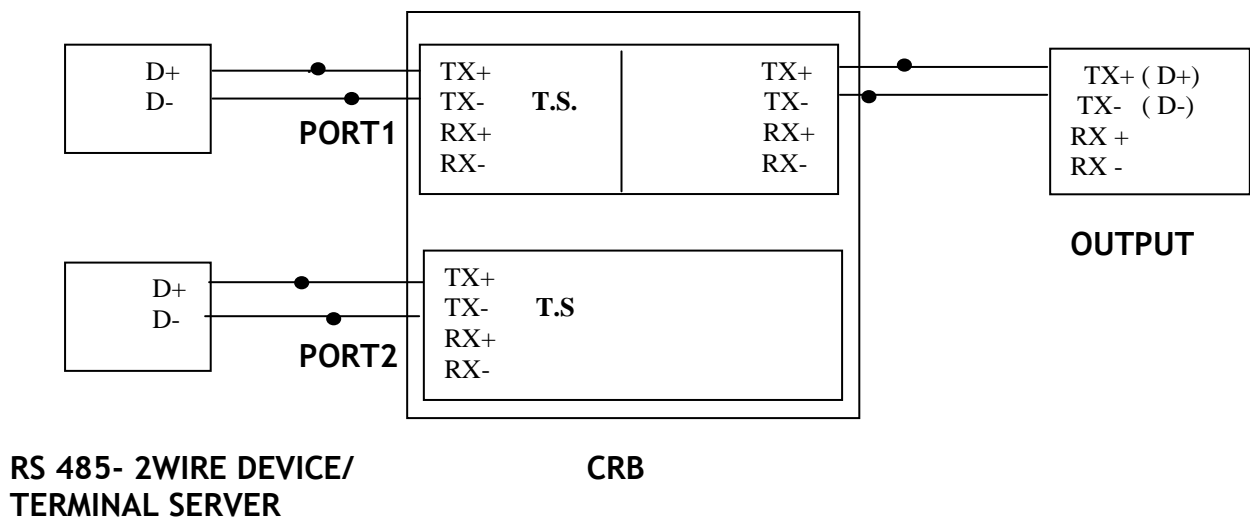
SIZE : 107[W] X245 [L] X 76.2[H] MM.

WIRING DIAGRAM

CABLE CONNECTIONS FOR RS422-4 Wire / RS485 4-Wire APPLICATION:

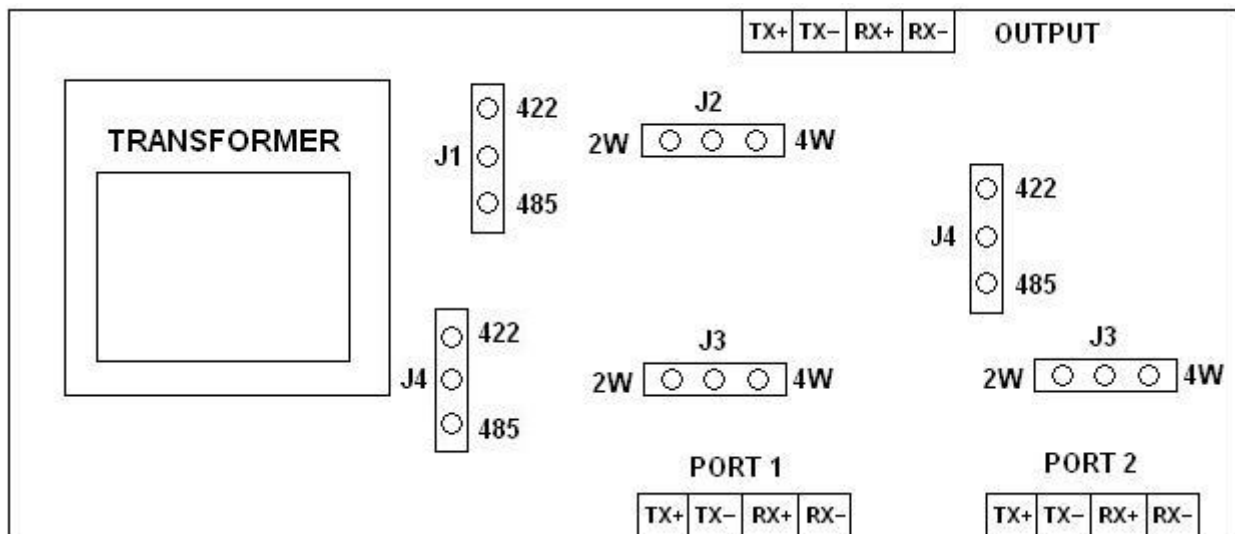


CABLE CONNECTIONS FOR RS485-2 WIRE APPLICATION:



**JUMPER LINK SELECTION FOR RS 485 4 W & RS 485 2 W (1J2 & 1J3)
(FOR RS 422 USE RS 485 4 wire LINK SELECTION)**

NOTE: FORMER JUMPER LINK SELECTION REMOVE THE TOP ACRYLIC COVER



Address: Narhe Industrial Estate, Lane No. 1, Sr. No. 44/21, Narhe Gaon, Tal- Haveli, Pune, Maharashtra 411041 **Tel :** +91 9284025858

Email: Info@abacuselectronics.in **Webiste:** www.abacuselectronics.in